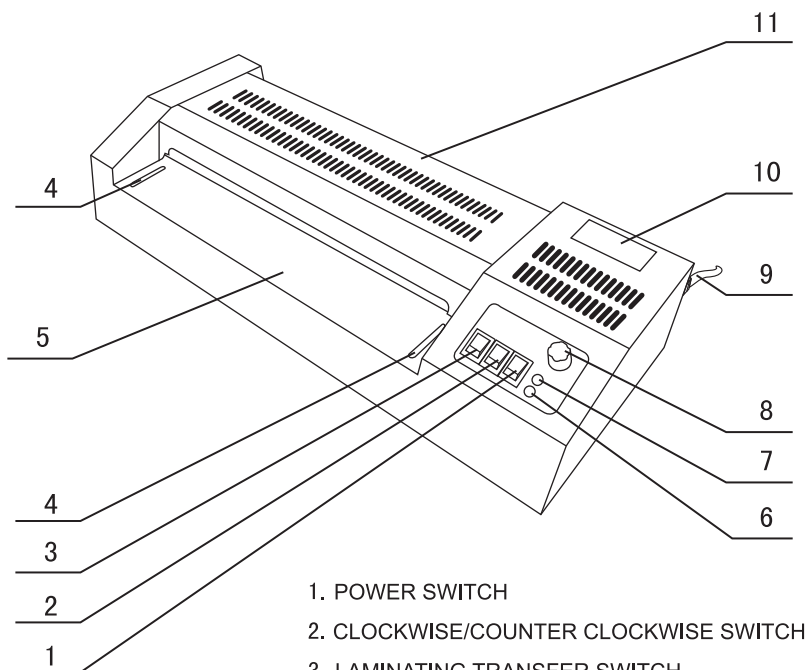


PRODUCT STRUCTURE & NAMES



- 1. POWER SWITCH
- 2. CLOCKWISE/COUNTER CLOCKWISE SWITCH
- 3. LAMINATING TRANSFER SWITCH
- 4. THE WIDEST LAMINATING CREST LINE
- 5. LAMINATING ENTRANCE
- 6. WORKING INDICATOR LIGHT
- 7. HEATING INDICATOR LIGHT
- 8. TEMPERATURE SET BUTTON
- 9. POWER WIRE
- 10. DISPLAY SCREEN
- 11. COVER

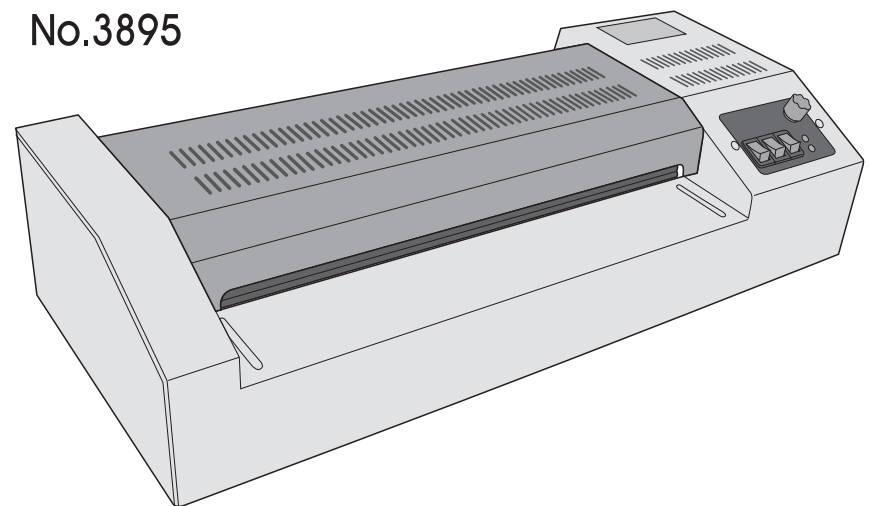
deli

DELI GROUP CO., LTD.
301 Xuxiaoke Ave. Ninghai County
Ningbo 315600 China
info@nbdeli.com
www.deliworld.com
Made in China



USER'S MANUAL

No.3895



deli

- Quick heating ,stable tempature control
- Reversible function
- Adjustable temperature
- Fit for both heat and cold laminating

Read carefully the Instruction Manual before using the machine.

CAUTIONS

1. This is electronic equipment,your safety as well as others' is important.Please read and follow these instructions.
- 2.Laminating machine should be placed in dry and clean places, far away from the flammable matters.
- 3.During operation,please do not insert anything into the machine other than laminating films and suggested items,the machine is only used for laminating.
- 4.During operation,do not touch the upper cover to avoid scald,do not put the objects on the outer case to avoid accident.
- 5.Never disassemble,repair,or redesign the machine by yourself,if machine can not work normally because of some exceptional phenomena,for example,noise or has bad smell or the film is locked,please turn off and unplug the machine immediatly,Please contact expert for repairs.
- 6.Never use the machine near a stove or in a humid environment,do not touch the plug with wet hands or immerse the base in any liquid.
- 7.The object to be laminated CANNOT be metal (iron,aluminium,copper,etc.)
- 8.Install the socket-outlet near the equipment and keep easy access,in order to cut power by emergency.
- 9.Before plugin,keep the power "off".
- 10.After laminating,transfer the button to"cold",then switch off the power after cooling.
- 11.Do not operate the machine with damaged power cord or plug.

OPERATING PROCEDURE

- 1.Insert the plug into the power socket,turn on the power switch and power lamp is on(red),then the electric motor begins to work normally.
 - 2.Turn on the preheating power and begin to preheat,the temperature rises rapidly.
 - 3.Set the button on the temperature position desired and preheat for about 5 minutes. When the temperature rises up to the set temperature, the light will be on. The temperature trends to the steady, this time, you can carry out the plastic sealing work.
 - 4.Before operating, keep button on "veer"state, insert the plastic sealing cards into the protective film; leaving a 2mm border from the sealed edge of the pouch, when the green light is on, insert the sealed end of the card protective film into the machine.If insert unsealed end into the machine, fold or the card protective film rounds the offset or the block phenomenon would occur.
 - 5.When cool open the "start" switch,and keep the laminating transfer switch on the "cold" position.
 - 6.If switch to cold laminating after hot laminating,do not operate the machine until the laminated item to be cold completely.
- NOTICE:When the card protective film is inserted into the machine,it must be placed into the two crest lines of the card entrance plate.

PLASTIC SEALING TEMPERATURE

This is a temperature-adjustable machine. Target temperature recommended table on right, for example: 85-95℃ for 50mic film, 105-115℃ for 100mic. The temperature choice will need consider the size, thickness and material of laminating films. If the target temperature is too low, laminating content view would not be very clear, temperature should be increased; if the target temperature is too high, film will be wrinkled, temperature should be decreased. You can adjust the temperature flexibly based on the laminating effect.

mic	℃
50	85-95
80	95-105
100	105-115
125	115-125
150	125-135
175	135-145
200	145-155

CLUE TO USE

- 1.If the laminated item is too thick to be laminated,Please transfer the button from "clockwise" to "counter-clockwise" to get out the item.
- 2.When the film exits after being laminated,it may be very hot and soft,Handle the laminated pouch carefully, press the item with a book or any other heavy objects may help to make it flat and smooth.

TECHNICAL DATA

Mains voltage	AC 220 V 50 Hz
Consumption	<3 A
Power	600 W
Max width	320 mm
Size of the machine	500mmx200mmx110mm
Size of film of utilizable	A3
Film of utilizable thickness	≤ 1mm
Heating up time	About 5 min
Speed	600 mm/min
Noise	≤ 60 dB

CLEANING AND CARE

- 1.Unplug the product from the wall outlet before cleaning,use the soft cloth with alcohol.Do not use the gas or thinner, metal brush and tool brush,shovel and knocking the rubber roller are prohibited.
- 2.If left unused for a long time,please cover the machine to prevent dust.